



SafetyDave

Fire safety, first aid & rear vision systems

Safe-T-Mover

Effortless positioning where towing isn't practical. The Safe-T-Mover is a powerful, self-contained solution for positioning caravans, boats, and trailers in spaces where traditional towing is difficult, risky, or impractical. Ideal for steep or narrow driveways, side access areas, storage yards, tight turns, and precise positioning near fences, walls, and buildings.

Designed for real-world control

Safe-T-Mover allows you to stand exactly where visibility matters most.

- Pivot and adjust position with greater accuracy than reversing alone
- Smooth, low-speed control for deliberate movements
- True one-person operation — spot and manoeuvre at the same time

Self-contained power — no compromises

Safe-T-Mover uses a self-contained lithium battery system.

- No load on vehicle wiring
- No interference with caravan electrical systems
- Consistent performance regardless of the tow vehicle

Built with safety at the core

Every Safe-T-Mover is engineered to protect people and property.

- Over-current, over-temperature, and stall protection
- Predictable movement under load
- LED status indicators and audible alerts

Compliance you can trust

- Tested to relevant Australian Standards
- RCM approved
- Designed with compliance in mind from day one

Key benefits at a glance

- Tow up to 3.5 tonnes on flat concrete
- Dual high-torque motors with planetary gearboxes
- Joystick control for speed and rotation
- Quick attachment and removal
- Castor wheel and integrated grab handles



Safe-T-Mover - designed and assembled in Australia



FREE CALL 1800 072 338

For further information visit www.safetydave.com.au

📍 1 Edgecombe Court, Moorabbin, Victoria 3189



SafetyDave

Fire safety, first aid & rear vision systems

Specifications

Dimensions & Weight

- Height: 745 mm
- Width: 579 mm
- Depth: 369 mm
- Weight: 26.1 kg (without jockey) / 30.7 kg (with jockey)

Power & Battery

- Internal self-contained Li-ion battery
- 1.5 hours typical use
- 1.5 hours recharge time
- Low standby discharge
- Charge in-unit or externally
- Quick-replaceable battery

Safety & Protection

- Over-current and over-temperature protection
- Battery monitoring and discharge protection
- Stall mitigation
- LED status indicators and audible buzzer alerts

Control

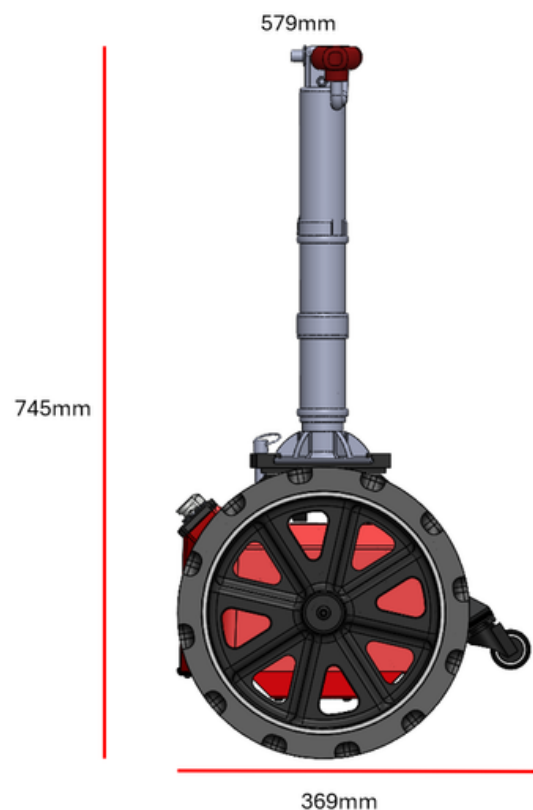
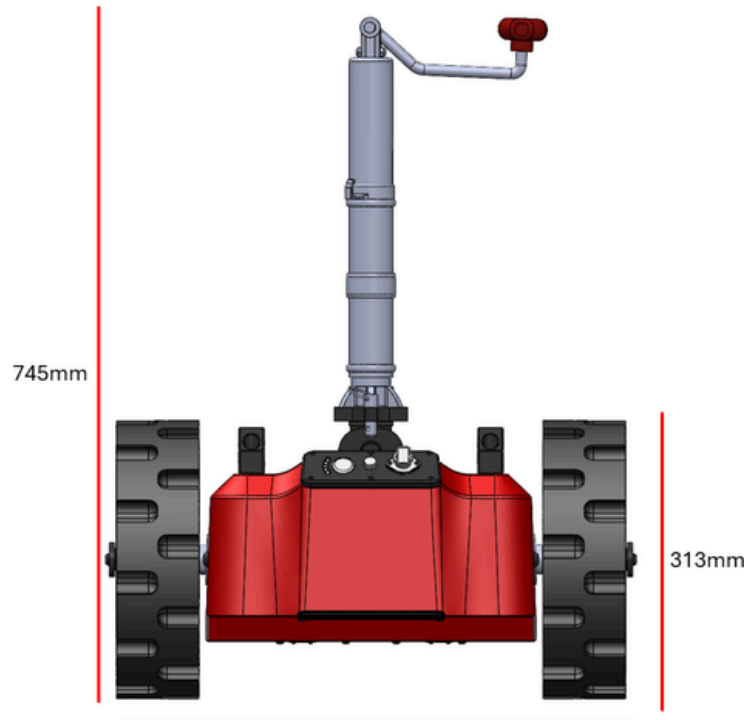
- 7.6 m coiled wired controller
- 2-axis variable speed control

Performance

- Towing capacity up to 3.5t
- Speed: 12.8 m/min (light load), 8 m/min (heavy load)

Drive System

- Dual DC motors with planetary gearboxes
- 250 W per motor



FREE CALL 1800 072 338

For further information visit www.safetydave.com.au

📍 1 Edgecombe Court, Moorabbin, Victoria 3189