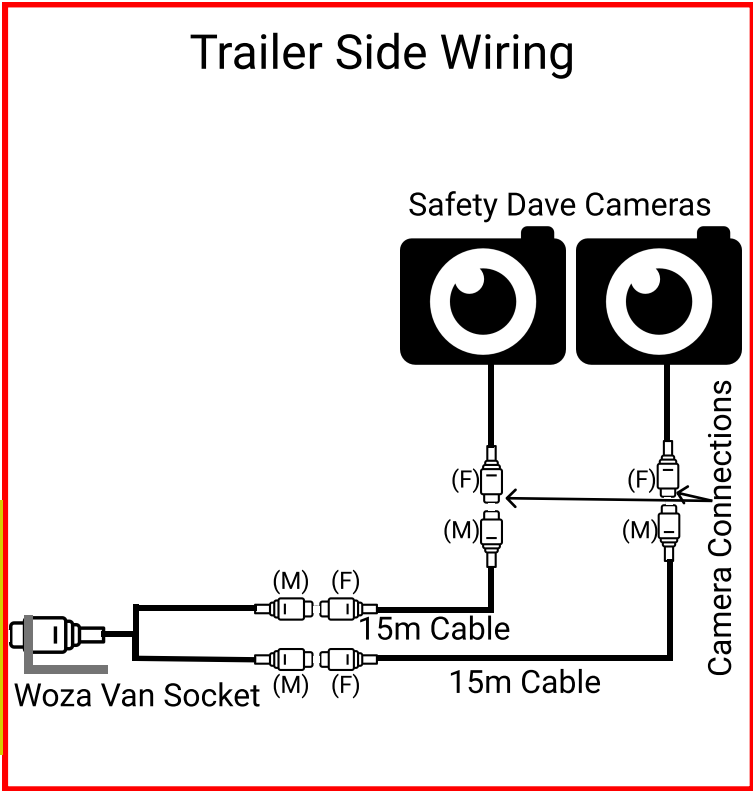
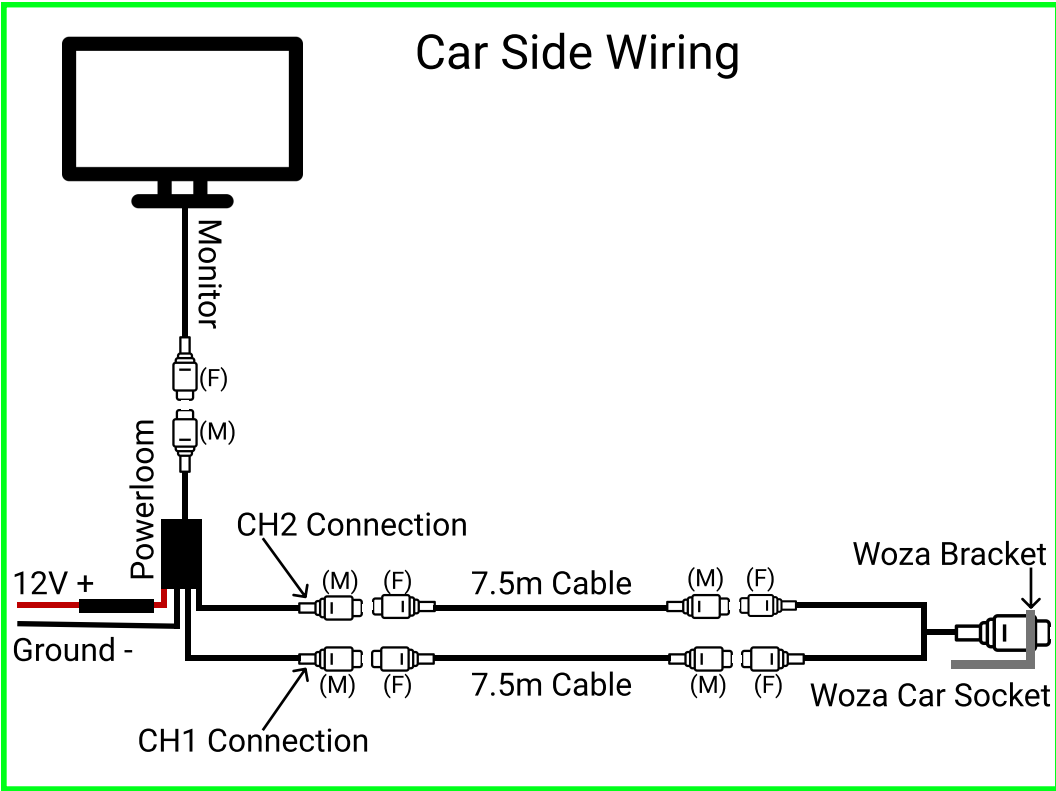
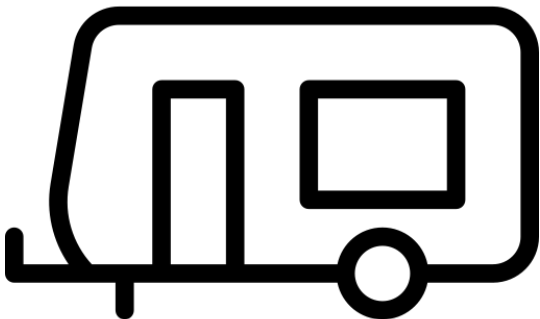


Dual Camera System



*12-24V+ wired to ignition/accessory
 *Ground- wired to chassis

(M) - Male Connector
 (F) - Female Connector

*Woza Kit - optional extra